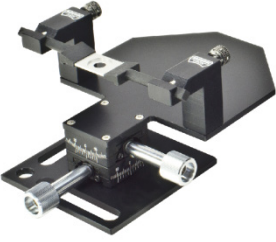
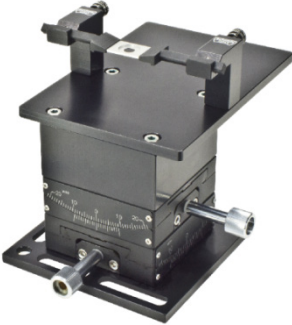


New Product Release – MAG-2/MAG-3

As previously discussed in NARISHIGE WEB NEWS No.78, the MAG-1 has earned a good reputation for its small size and convenience. Researchers' needs vary; some may want to incline the animal to the side in order to observe its temporal region. Other researchers may want to tilt the animal anteroposteriorly to observe its targeted area diagonally situated. To serve these needs, several variations of MAG-1 have been developed as special orders.

In response to increasing requests for such special orders, MAG-2 and MAG-3 have additionally been released. The MAG-2 offers better usability for various ways of observation under a microscope. The MAG-3 offers better adjustability and features firm fixation to a platform under a microscope. This issue of NARISHIGE WEB NEWS discusses these new devices as well as the chamber plates that were developed at the same time.

MAG-2 Head Holding Device (with Angle Adjuster/for Mice)	MAG-3 Head Holding Device (with Angle Adjuster/for Mice)
	
<ul style="list-style-type: none"> • For in vivo observation / imaging experiments under a two-photon microscope. • Equipped with angle adjusters for obtaining deeper images. 	<ul style="list-style-type: none"> • Equipped with angle adjusters. • For experiments requiring a steeper angle adjustment.
<ul style="list-style-type: none"> • Angle of inclination in maximum: <ul style="list-style-type: none"> • 0° ~±15° (Lateral) • 0° ~±10° (Longitudinal) • Load capacity : 0.5kg • Installed with angle locks and elongated holes. 	<ul style="list-style-type: none"> • Angle of inclination in maximum: <ul style="list-style-type: none"> • 0° ~±20° (Lateral) • 0° ~±15° (Longitudinal) • Load capacity : 2kg • Installed with angle locks and elongated holes.
<ul style="list-style-type: none"> ■ Dimensions : W87 × D136 × H58~72mm ■ Weight : 232g ■ Accessory : CP-1,CP-2 (each 1piece), Hex Wrench, Vinyl Sheet 	<ul style="list-style-type: none"> ■ Dimensions : W108 × D152 × H109~130mm ■ Weight : 1.7kg ■ Accessory : CP-1,CP-2 (each 1piece), Vinyl Sheet

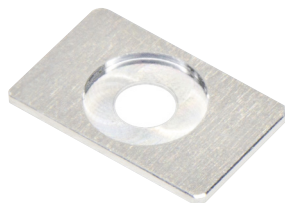
New Chamber Frames – CP Series Chamber Plates

While the chamber frame is not easy to use with water immersion lenses, it does allow for a large observation area. Narishige has developed chamber plates as an alternative of the chamber frame. The chamber plates are available for the MAG series and SR-9M.



CP Chamber Plate [10 pcs]

Unprocessed, for making your own chamber.
Aluminum
Dimensions & Weight : 12x19mm, 0.6g



CP-1 Chamber Plate [5 pcs]

- Φ5mm observation hole
- Φ10mm countersink

Anodized aluminum with insulation treated
Dimensions & Weight : 12x19mm, 0.4g



CP-2 Chamber Plate [5 pcs]

- Φ9mm observation hole

Anodized aluminum with insulation treated
Dimensions & Weight : 12x19mm, 0.4g

Special Orders for MAG Series

When a specific and dedicated design is required, we can customize not only MAG-1 but also MAG-2 and MAG-3. Please feel free to contact us.

If you have any questions or need further information, please contact us.